

**AUSTRALIAN MATHEMATICS COMPETITION
WARM-UP PAPER
MIDDLE PRIMARY 10**

©2009 Australian Mathematics Trust

1. Which number is made up with 1 hundred, 4 tens and 3 ones?
(A) 413 (B) 143 (C) 341 (D) 1043 (E) 134

2. If I buy a shirt for \$25 and a T-shirt for \$12, how much change do I get from \$50?
(A) \$13 (B) \$23 (C) \$25 (D) \$33 (E) \$37

3. When a room was being painted, five curious cats walked in. Four cats got paint on their front paws and one cat got paint on its back paws. How many paws did NOT have paint on them?
(A) 5 (B) 6 (C) 8 (D) 10 (E) 12

4. In a family, each of the children have at least one brother and at least two sisters. What is the smallest number of children in this family?
(A) 1 (B) 2 (C) 3 (D) 4 (E) 5

MP10 Page 2

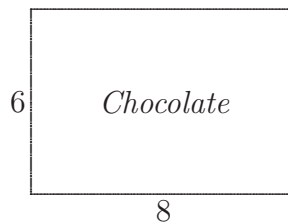
5. Abdul's class has a set of 30 lockers arranged in 3 rows of 10 and numbered from 1 to 30 starting from the top left-hand corner and counting across each row from left to right until reaching the bottom right-hand corner.

1	2	3	4	5	6	7	8	9	10
11	12	13	14	15	16	17	18	19	20
21	22	23	24	25	26	27	28	29	30

- Abdul has locker No 7.
- Betty's locker is below Abdul's and two to the left.
- Cheung has a locker with a number 6 more than Betty's locker.
- Dilip has a locker two rows above Cheung's.
- Evita's locker is five to the right and one below Dilip's.

Which two students have lockers next to each other?

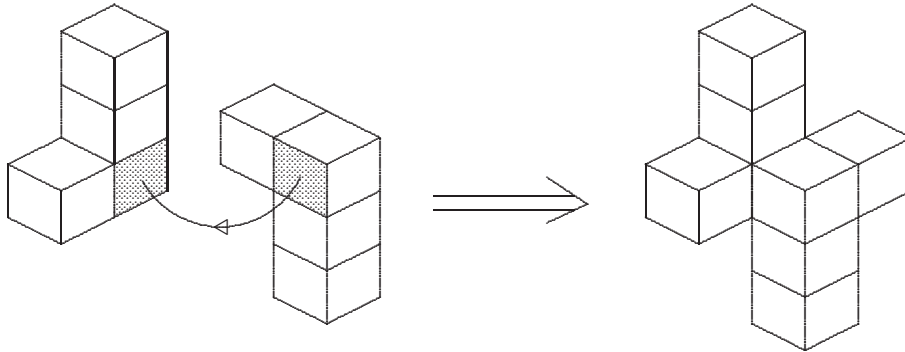
- (A) Abdul and Betty (B) Cheung and Evita (C) Evita and Betty
 (D) Dilip and Abdul (E) Abdul and Cheung
6. Jane is given a large block of chocolate which is made up of square pieces and is 6 pieces wide and 8 pieces long.



- She eats all the outside pieces. What fraction of the block is left?
- (A) $\frac{1}{4}$ (B) $\frac{1}{3}$ (C) $\frac{1}{2}$ (D) $\frac{2}{3}$ (E) $\frac{3}{4}$
7. Jacqui had \$5.10 in 5, 10, 20 and 50 cent coins. She had an equal number of each type of coin. How many coins did she have?
- (A) 24 (B) 20 (C) 16 (D) 22 (E) 18

MP10 Page 3

8. Two L-shaped solids are each made up from 4 cubes as shown in the left of the diagram. The two shaded faces are glued together to form the solid shown on the right in the diagram.



How many faces of the original 8 cubes are visible if we can look at the solid from any angle?

- (A) 28 (B) 30 (C) 32 (D) 34 (E) 36
9. When I opened my new maths book the sum of the two page numbers facing me was 317. What was the number of the next page?
10. In my marble bag there are between 40 and 80 marbles.
If I share them equally among 4 children there is 1 left.
If I share them equally among 5 children there are 3 left.
If I share them equally among 6 children there is 1 left.
How many marbles do I have?